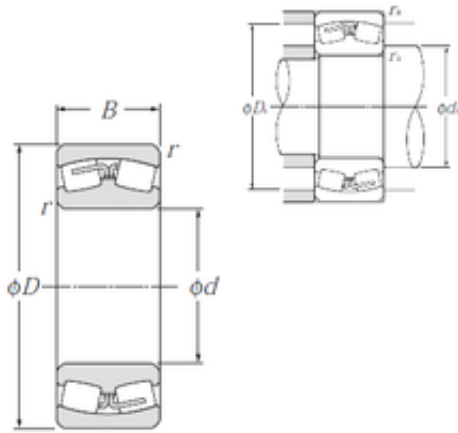




NTN BEARING CORP.OF AMERICA

240/530B NTN Spherical Roller Bearings



Bearing No. 240/530B

Size	530x780x250 mm
Bore Diameter	530 mm
Outer Diameter	780 mm
Width	250 mm
d	530 mm
D	780 mm
B	250 mm
C	250 mm
r min.	6 mm
da min.	558 mm
Da max.	752 mm
ra max.	5 mm
Weight	413 Kg
Basic dynamic load rating (C)	5 600 kN
Basic static load rating (C0)	12 700 kN
(Grease) Lubrication Speed	330 r/min
(Oil) Lubrication Speed	430 r/min
Calculation factor (e)	0,3
Calculation factor (Y0)	2,19
Calculation factor (Y1)	2,24

240/530B Bearing 2D drawings and 3D CAD models